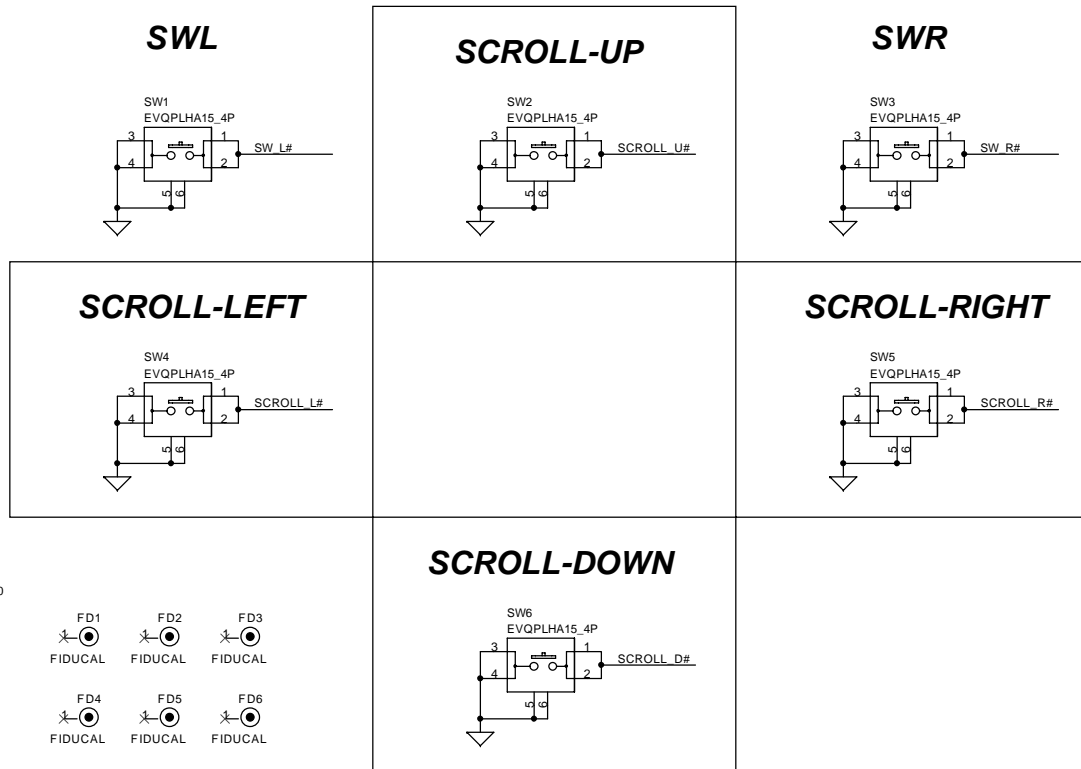
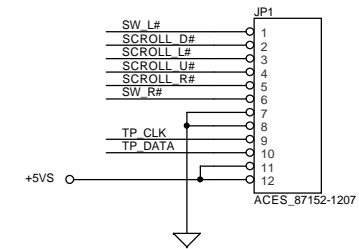
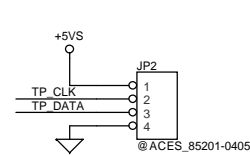


COMPAL CONFIDENTIAL

MODEL NAME: ECQ60
 PCB NAME: LS-2272 T/P PCB
 REVISION: 1.0
 DATE: 2004-06-14

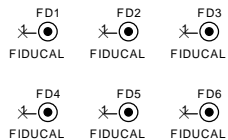
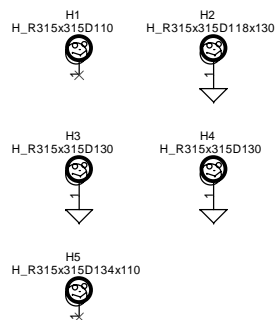
TO M/B

TO T/P



TM42P-372

Pin	Name
1	VDD
2	VDD
3	DAT
4	CLK
5	GND
6	GND
7	RIGHT
8	SCROLL-RIGHT
9	SCROLL-UP
10	SCROLL-LEFT
11	SCROLL-DOWN
12	LEFT



THIS SHEET OF ENGINEERING DRAWING IS THE PROPRIETARY PROPERTY OF COMPAL ELECTRONICS, INC. AND CONTAINS CONFIDENTIAL AND TRADE SECRET INFORMATION. THIS SHEET MAY NOT BE TRANSFERRED FROM THE CUSTODY OF THE COMPETENT DIVISION OF R&D DEPARTMENT EXCEPT AS AUTHORIZED BY COMPAL ELECTRONICS, INC. NEITHER THIS SHEET NOR THE INFORMATION IT CONTAINS MAY BE USED BY OR DISCLOSED TO ANY THIRD PARTY WITHOUT PRIOR WRITTEN CONSENT OF COMPAL ELECTRONICS, INC.

Compal Electronics, Inc.		
Title	SCHEMATIC, TOUCHPAD/B LS-2272	
Size	Document Number	Rev
Custom	405754	A
Date:	~P 日期, 八月 26, 2004	Sheet 1 of 1