

Compal Confidential

ECQ60 5 in 1 (MS/SD/MMC/SM/XD) Schematics Document

SMSC USB2224-NE-02

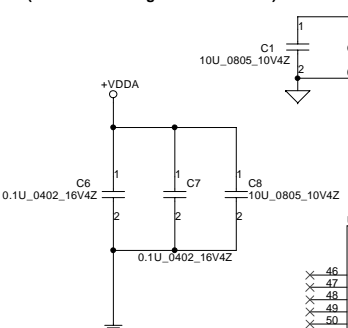
2004-06-11

REV: 1.0

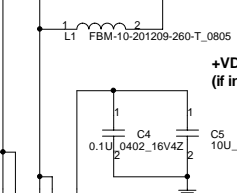
THIS SHEET OF ENGINEERING DRAWING IS THE PROPRIETARY PROPERTY OF COMPAL ELECTRONICS, INC. AND CONTAINS CONFIDENTIAL AND TRADE SECRET INFORMATION. THIS SHEET MAY NOT BE TRANSFERRED FROM THE CUSTODY OF THE COMPETENT DIVISION OF R&D DEPARTMENT EXCEPT AS AUTHORIZED BY COMPAL ELECTRONICS, INC. NEITHER THIS SHEET NOR THE INFORMATION IT CONTAINS MAY BE USED BY OR DISCLOSED TO ANY THIRD PARTY WITHOUT PRIOR WRITTEN CONSENT OF COMPAL ELECTRONICS, INC.

Compal Electronics, Inc.			
Title			
SCHEMATIC, 5IN1/B LS-2271			
Size	Document Number	Rev	
Custom	405753	A	
Date:	~P期四, 八月 26, 2004	Sheet	1 of 3

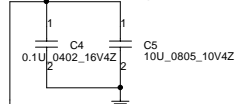
+VDDCORE : 1.8V digital core power
(if internal 1.8v regulator is enabled)



+VDDA : 3.3V analog power



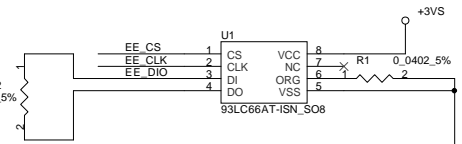
+VDDP : 1.8V analog power
(if internal 1.8v regulator is enabled)



USB2224_02 (maskrom V323)

GPIO	FUNCTION
1	Media Activity LED
4	EEPROM DIO / XD Card Identification
5	SD Card Detect

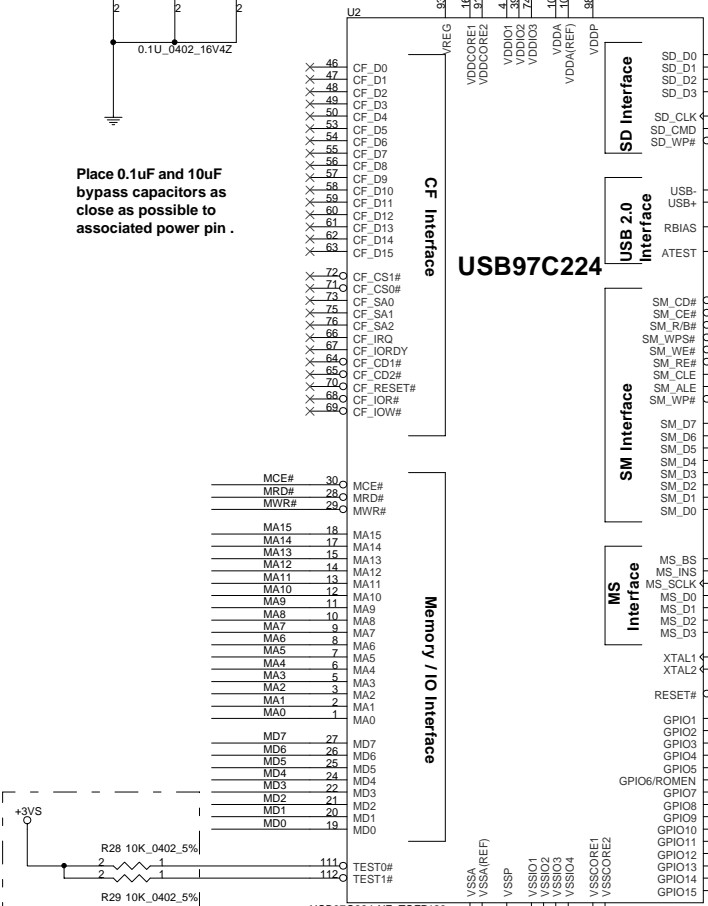
EEPROM
4K / 8bit



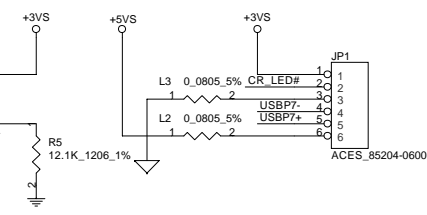
Place as close as possible to the chip.

Place 0.1uF and 10uF bypass capacitors as close as possible to associated power pin.

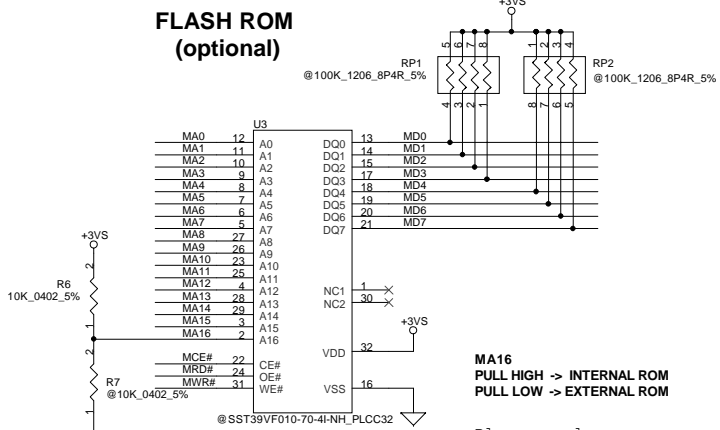
USB97C224



Pin 97 : ATEST
connect to +VDDA -> enable internal 1.8v regulator
connect to VSSA -> disable internal 1.8v regulator



FLASH ROM (optional)

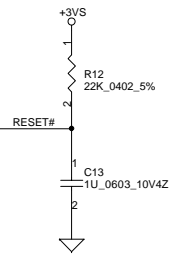


MA16 FULL HIGH -> INTERNAL ROM
FULL LOW -> EXTERNAL ROM

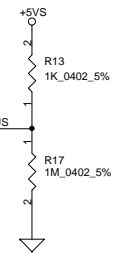
Place as close as possible to the chip.

Place as close as possible to the chip.

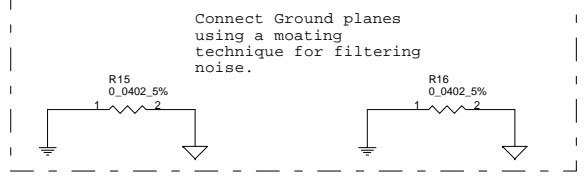
RESET#

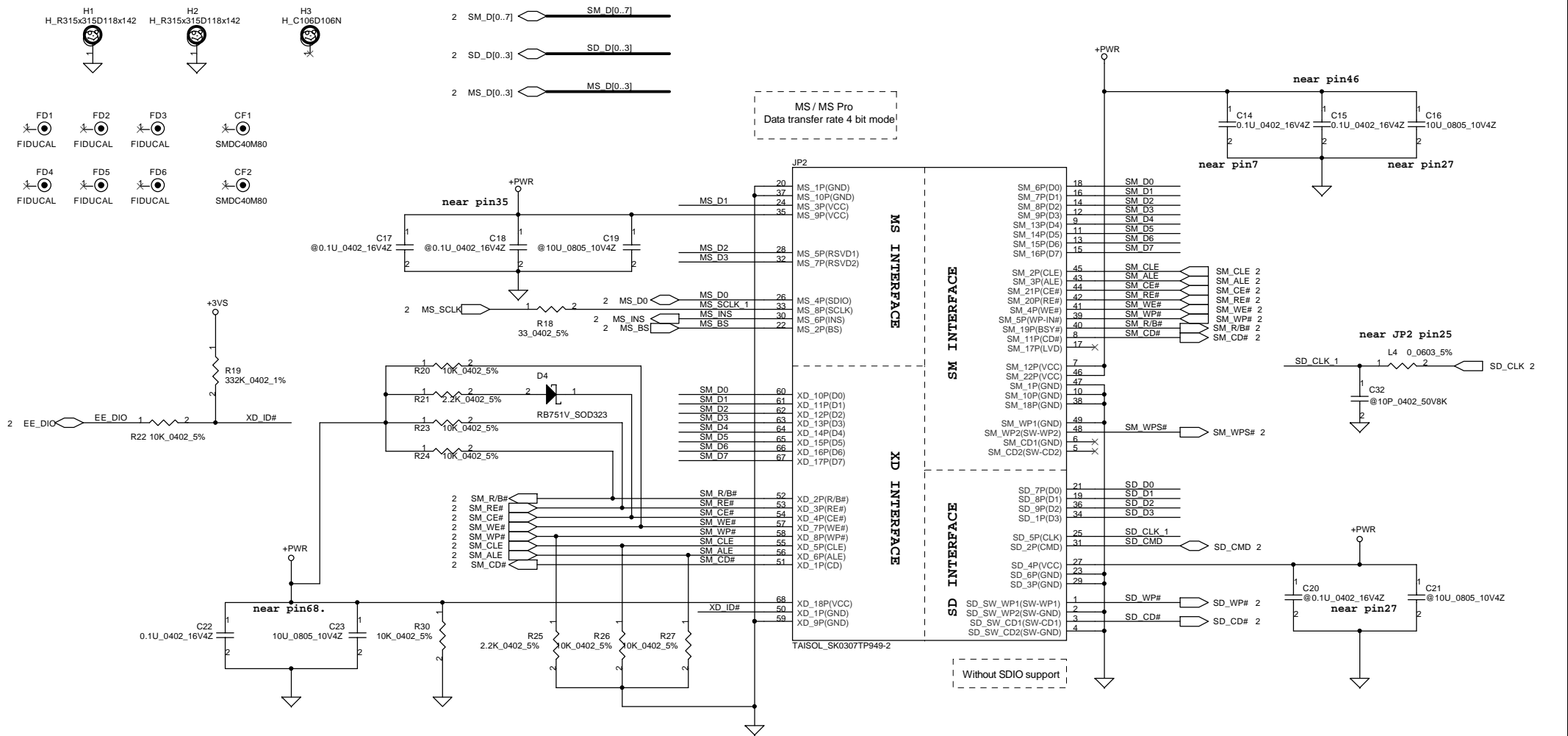


V BUS

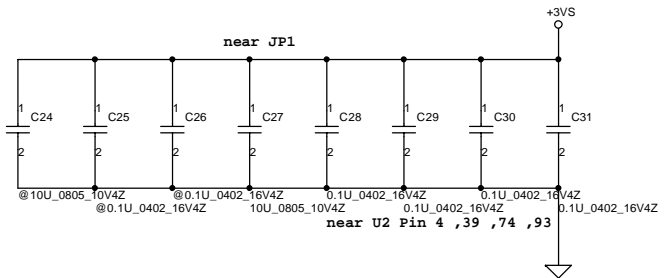


Connect Ground planes using a moating technique for filtering noise.

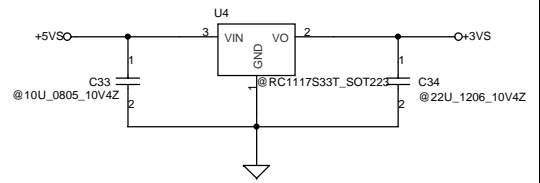




DECOUPLING



SWITCH MECHANISM	CARD DETECT SWITCH	WRITE PROTECT SWITCH	
	SD	SD	MS
WITHOUT CARD	OPEN	OPEN	OPEN
CARD INSERTED	CLOSE	CLOSE	CLOSE



THIS SHEET OF ENGINEERING DRAWING IS THE PROPRIETARY PROPERTY OF COMPAL ELECTRONICS, INC. AND CONTAINS CONFIDENTIAL AND TRADE SECRET INFORMATION. THIS SHEET MAY NOT BE TRANSFERRED FROM THE CUSTODY OF THE COMPETENT DIVISION OF R&D DEPARTMENT EXCEPT AS AUTHORIZED BY COMPAL ELECTRONICS, INC. NEITHER THIS SHEET NOR THE INFORMATION IT CONTAINS MAY BE USED BY OR DISCLOSED TO ANY THIRD PARTY WITHOUT PRIOR WRITTEN CONSENT OF COMPAL ELECTRONICS, INC.

Compal Electronics, Inc.

Title: **SCHEMATIC, 5IN1/B LS-2271**

Size: Custom
 Document Number: **405753**
 Customer: **405753**

Date: 星期四, 八月 26, 2004
 Sheet: 3 of 3